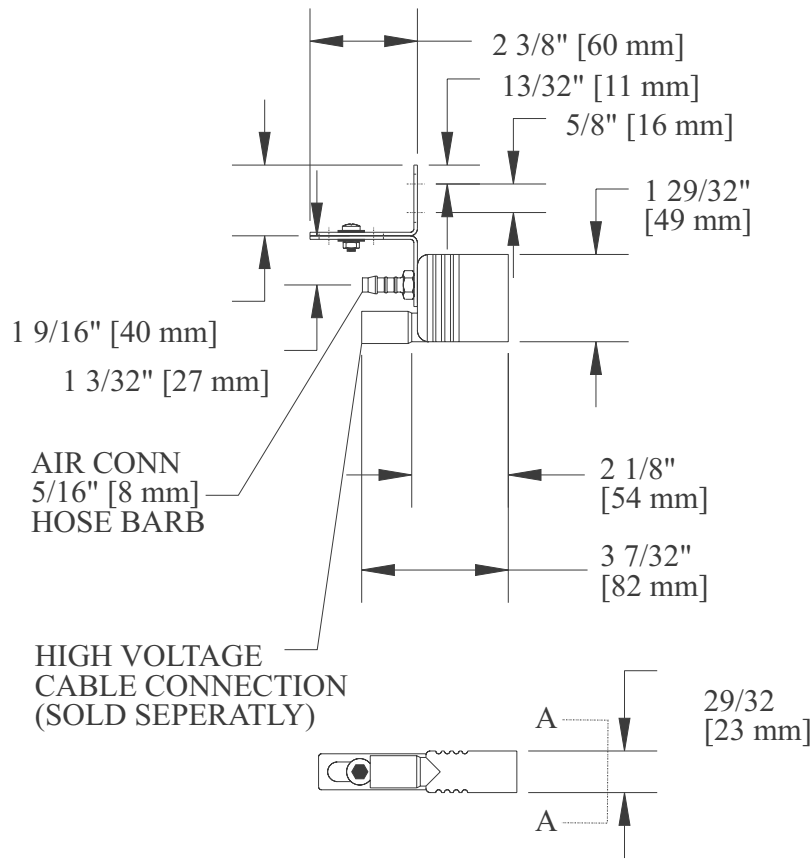
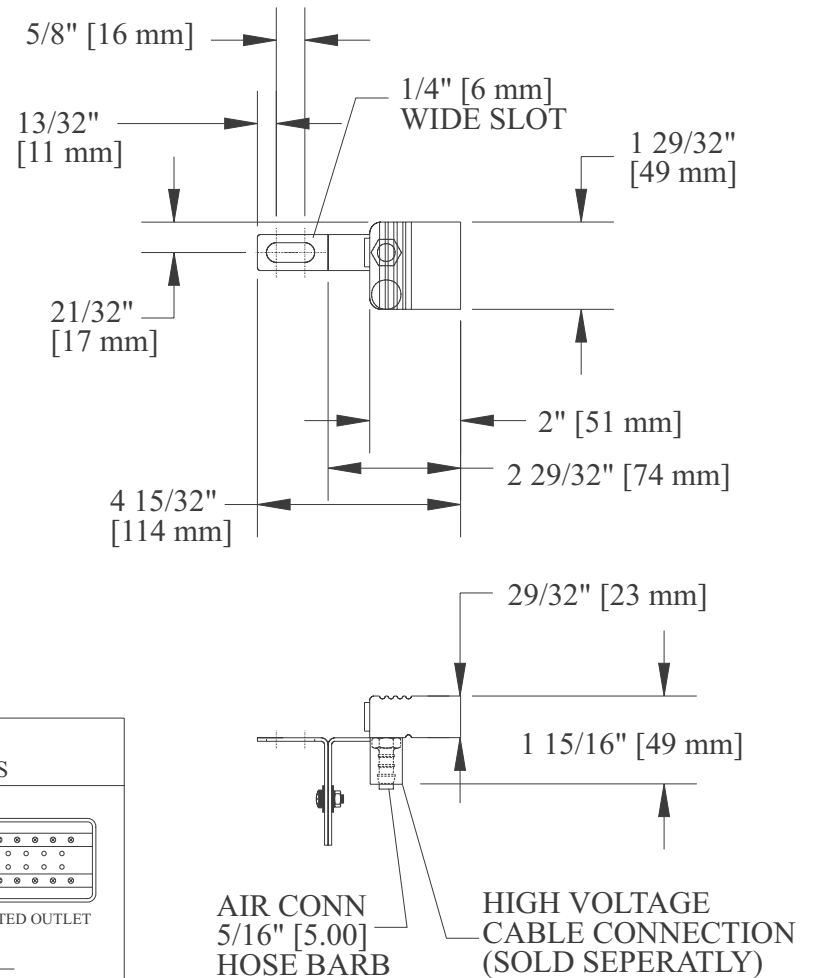


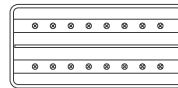
### AXIAL DESIGN



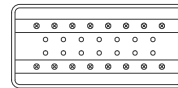
### RADIAL DESIGN



VIEW A-A  
OUTLET OPTIONS



SLOTTED OUTLET



PERFORATED OUTLET

KEY

- IONIZING POINTS
- AIR SLOT
- AIR PERFORATIONS

ALL DIMENSIONS FOR REFERENCE ONLY

A	MFS	ECN 453
	SRM	09/14/00
REV	CHECKED	ECN
	APPROVED	DATE



the SIMCO company, inc.  
2257 NORTH PENN ROAD  
HATFIELD, PA 19440-1998

TITLE

R55 NOZZLE

DRAWING NUMBER

5000834