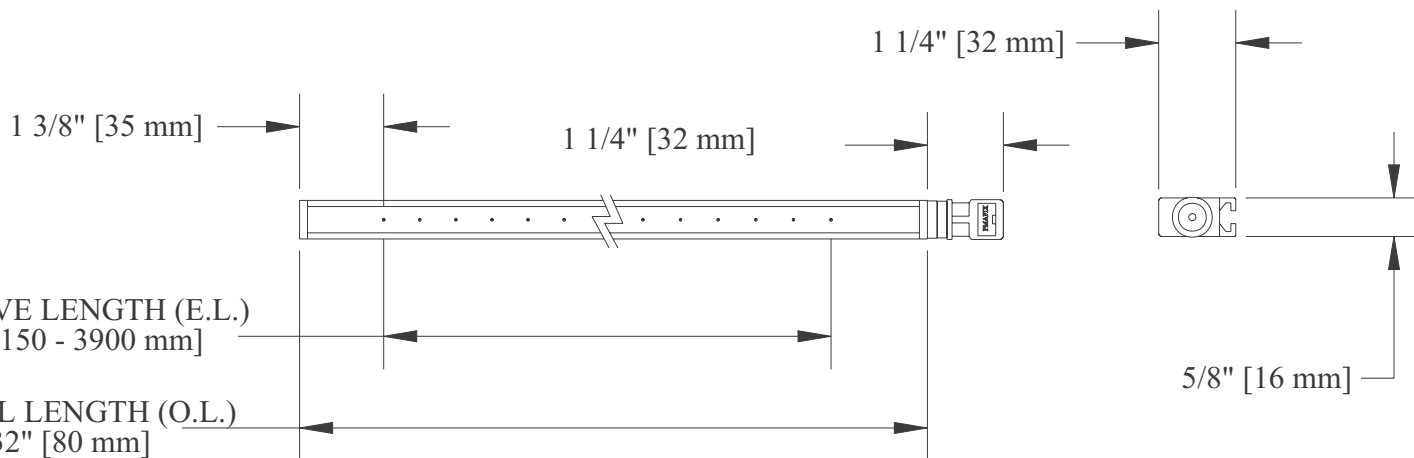


STANDARD MOUNTING BRACKETS



NOTE:
HIGH VOLTAGE CABLE
SUPPLIED SEPERATLY

ALL DIMENSIONS FOR REFERENCE ONLY

A	MFS	ECN 453
	SRM	09/14/00
REV	CHECKED	ECN
	APPROVED	DATE



the SIMCO company, inc.
2257 NORTH PENN ROAD
HATFIELD, PA 19440-1998

TITLE

R51 BLUE BAR

DRAWING NUMBER

5000847