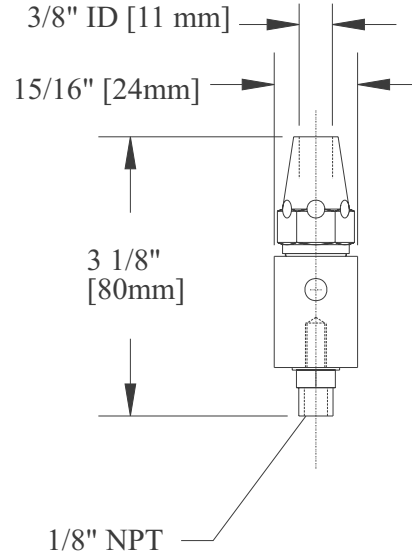
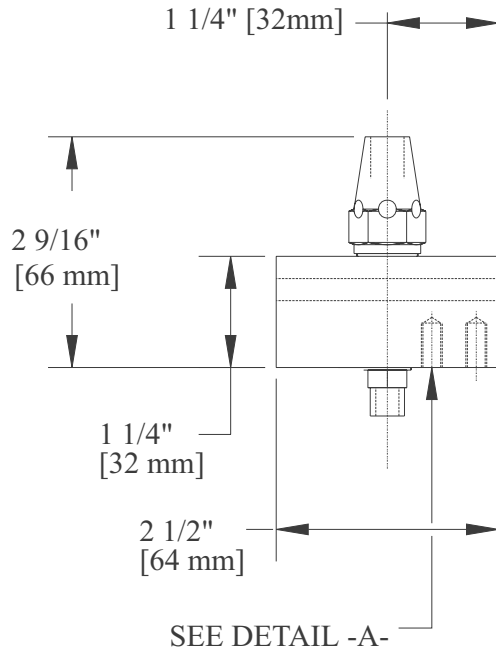
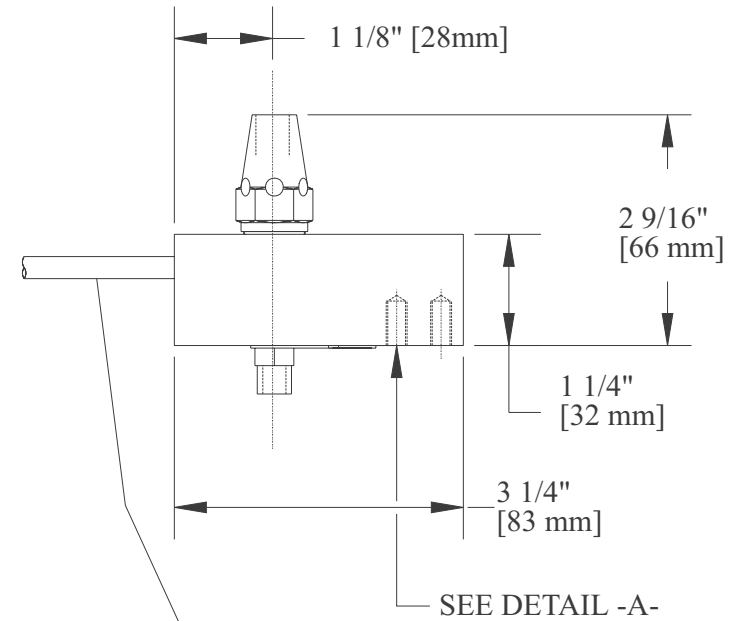


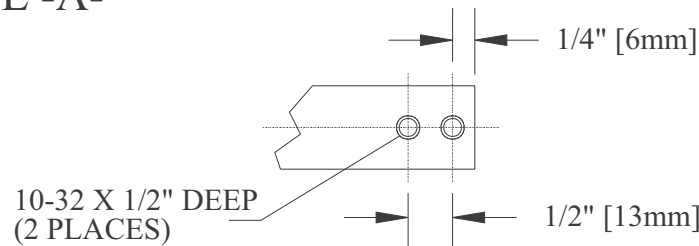
-STRAIGHT THRU DESIGN-



-DEAD END DESIGN-



DETAIL -A-



HIGH VOLTAGE CABLE
10 FEET [3 m]

ALL DIMENSIONS FOR REFERENCE ONLY



B REV	MFS SRM	ECN 453 10/13/00
	CHECKED APPROVED	ECN DATE



the SIMCO company, inc.
2257 NORTH PENN ROAD
HATFIELD, PA 19440-1998

TITLE
HS NOZZLE

DRAWING NUMBER
5000066