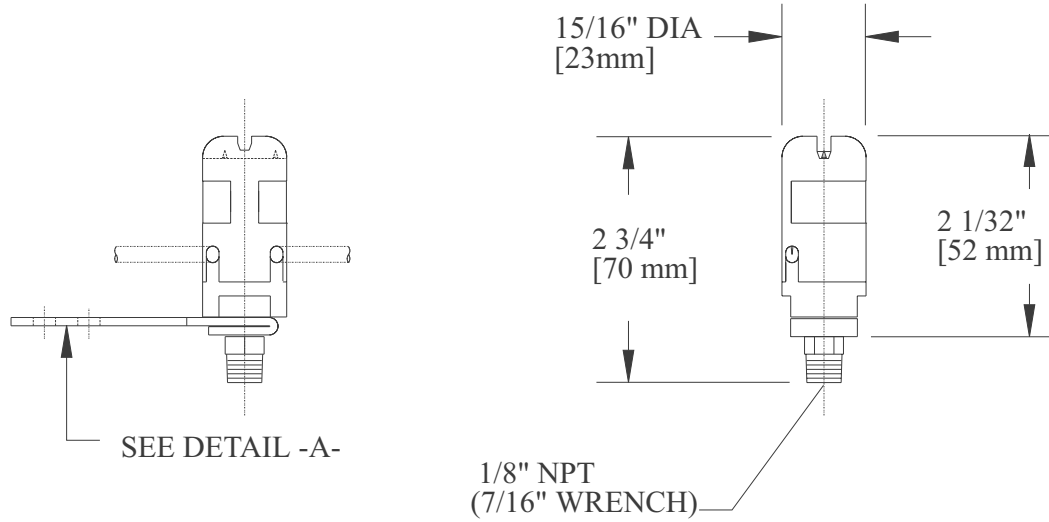
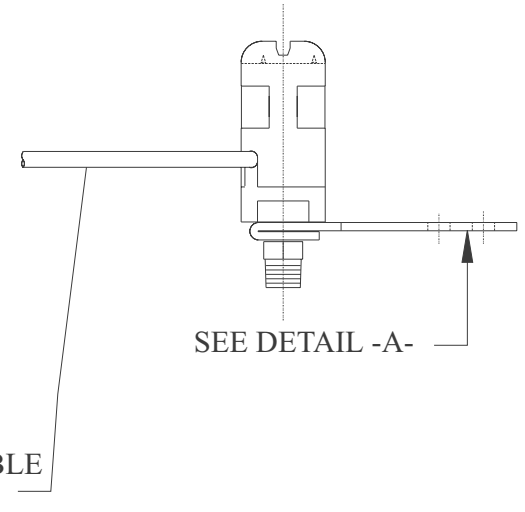


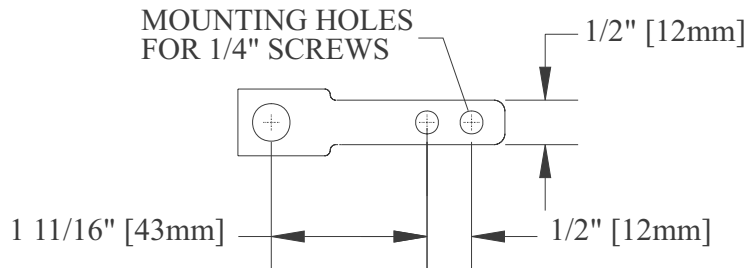
**-STRAIGHT THRU DESIGN-**



**-DEAD END DESIGN-**



**DETAIL -A-**



ALL DIMENSIONS FOR REFERENCE ONLY

REV	A	MFS SRM	ECN 453
		CHECKED APPROVED	11/3/00 ECN DATE



the SIMCO company, inc.  
2257 NORTH PENN ROAD  
HATFIELD, PA 19440-1998

TITLE

HE NOZZLE

DRAWING NUMBER

5000232