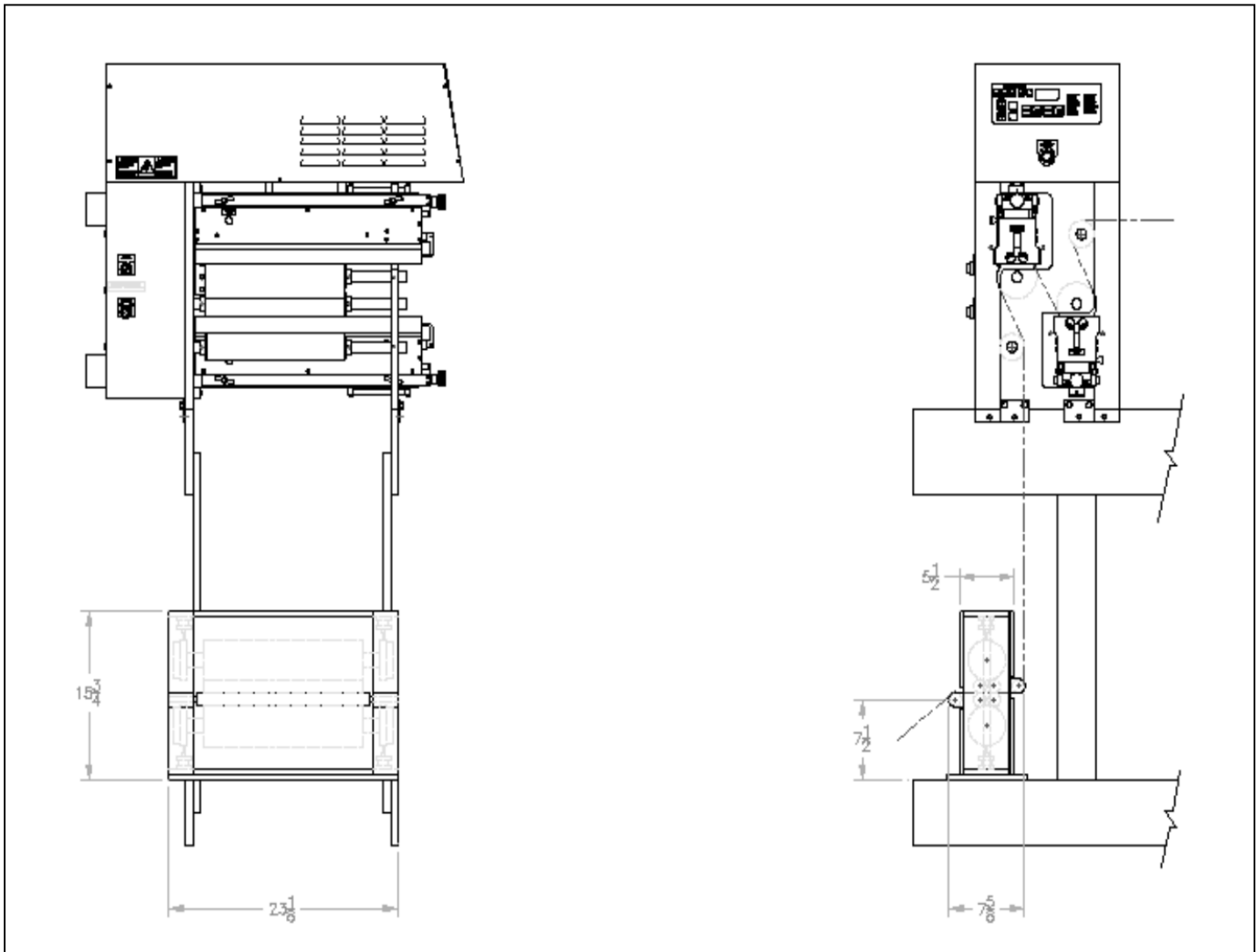


# Application Notes

## HexClean – Aquaflex Flexographic Press

Industry	Problem	Solution	Result
<p>Flexographic Print</p> <p><b>Application</b></p> <p>Web cleaning, narrow web press – Aquaflex Press</p>	<p>Surface contamination causing print quality problems on film labels, and production downtime to clean print plates.</p>	<p>Six roll <b>HexClean</b> unit mounted in line before the corona treater, prior to the first print station. This unit cleans both sides of the web, to single level micron particle size.</p>	<p>Customer recognized productivity improvements immediately. The savings from this installation provided a payback period of three months.</p>



## ***Application Notes***

---

### ***HexClean – Aquaflex Flexographic Press***

